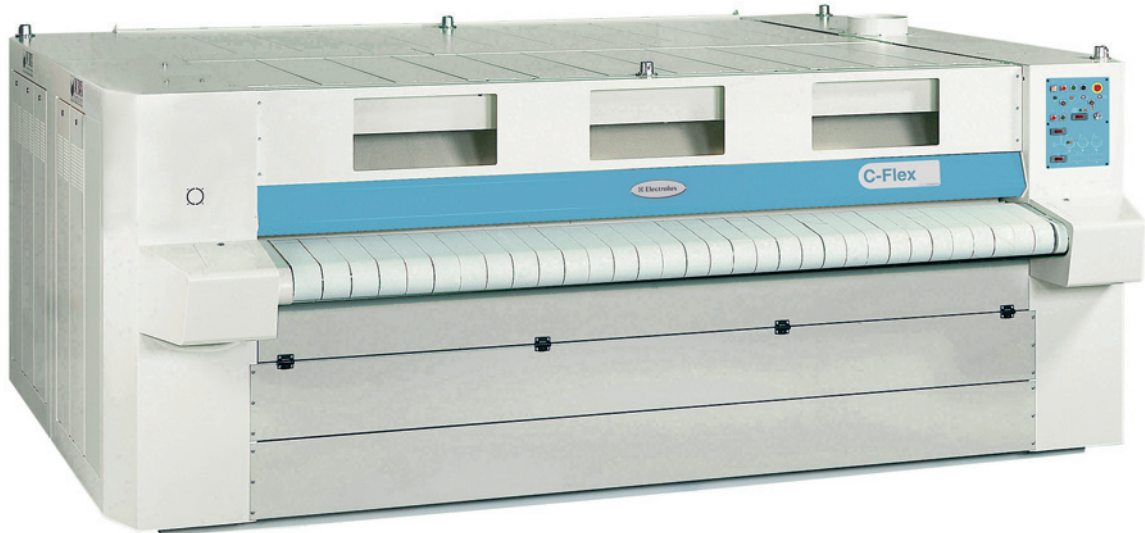


# Heavy duty flatwork ironer

## C-Flex 900, 1200



### Features and benefits

- Chest type industrial ironer with mobile chest and fixed roll, offering a constant pressure and a maximum ironing surface for the utmost ironing quality
- Steam or thermal fluid heating
- The unique design of the chest and roll combined with an improved thermal insulation give a thermal output close to 97%
- Up to three chest can be mounted together for a 50m/min maximum ironing speed
- Simple and reliable drive, possible thanks to the fixed roll technology
- One adjustable suction fan per roll for an improved vapor suction
- Maxpress<sup>®</sup> fitting for an optimum roll and chest contact and an optimized vapor extraction

### Main options

- Stainless steel Maxpress<sup>®</sup> fitting for an extended longevity
- Nomex padding withstand temperatures above 180°C
- Extra insulation of the casings for a lower energy consumption and an improved working environment
- Vacuum feeding table for an easier use
- Preset ironing speeds or special speed ranges to customize the ironing to the user specificities
- Connection with feeding and folding systems

Main specifications			C-Flex 900	C-Flex 1200
Max. water evaporation*		l/h	205-795	210-1260
Cylinder	number		1-3	1-3
	diameter	mm	900	1200
	length	mm	2700, 3000, 3300, 3500	2100, 3000, 3300, 3500, 4200
Ironing speed**		m/min	4-51	6-51
Heating	steam consumption***	kg/h	240-960	295-1530

\* 12 bars steam heating, smallest – biggest machine and 100% cylinder use, see detailed data

\*\* See detailed data for available speed ranges per dimension

\*\*\* 12 bar steam heating, smallest – biggest machine, see detailed data

Electrical connections		927	930	933	935
Voltage					
	400-415V 3AC 50Hz – 1 roll kW			4.6	
	400-415V 3AC 50Hz – 2 rolls kW			12	
	400-415V 3AC 50Hz – 3 rolls kW			22	
Steam and air connections					
Max. steam pressure				1400	
Compressed air				15	
<b>1 roll</b>					
Steam	DN			32	
Condensate	DN			25	
Exhaust dia. (K)	mm			200	
Evacuated air	m <sup>3</sup> /h			2000	
<b>2 rolls</b>					
Steam	DN			40	
Condensate	DN			32	
Exhaust dia. (K)	mm			2 x 200	
Evacuated air	m <sup>3</sup> /h			2 x 2000	
<b>3 rolls</b>					
Steam	DN			50	
Condensate	DN			40	
Exhaust dia. (K)	mm			3 x 200	
Evacuated air	m <sup>3</sup> /h			3 x 2000	
Sound level					
Airborne sound level				66	
Heat emission					
% of installed power, standard insulation				5	
% of installed power, extra insulation				3	
Performances and energy consumption					
<b>1 roll</b>					
Max. water evaporation (14 bar)	l/h	205	225	250	265
Steam average consumption (12 bar)	kg/h	240	270	300	320
Average linen output (12 bar)*	kg/h	330	370	410	435
Ironing speed**	m/min		5-15		
<b>2 rolls</b>					
Max. water evaporation (14 bar)	l/h	410	450	500	530
Steam average consumption (12 bar)	kg/h	480	540	600	640
Average linen output (12 bar)*	kg/h	660	740	820	870
Ironing speed**	m/min		9-27		
<b>3 rolls</b>					
Max. water evaporation (14 bar)	l/h	615	675	750	795
Steam average consumption (12 bar)	kg/h	720	810	900	960
Average linen output (12 bar)*	kg/h	940	1110	1230	1305
Ironing speed**	m/min		14-42		
Dimensions					
<b>A</b> width	mm	3900	4200	4500	4700
<b>B</b> ironing width	mm	2700	3000	3300	3500
<b>C</b> length 1 roll	mm		1685		
<b>C</b> length 2 rolls	mm		2955		
<b>C</b> length 3 rolls	mm		4225		
<b>D</b> height	mm		1560		
Net weight					
1 roll	kg	3010	3200	3400	3530
2 rolls	kg	5980	6360	6760	7030
3 rolls	kg	8950	9550	10170	10600

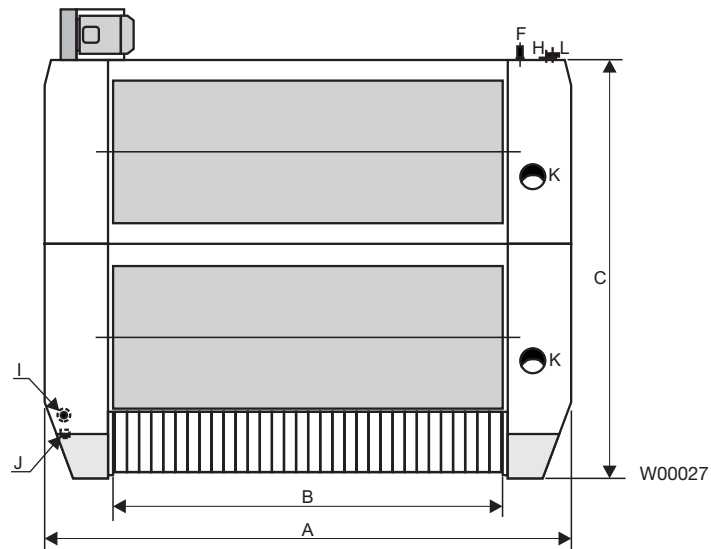
\* 50% residual moisture, 140 gr/m<sup>2</sup> polyester-cotton linen, 100% cylinder use

\*\* Other speed range available on request

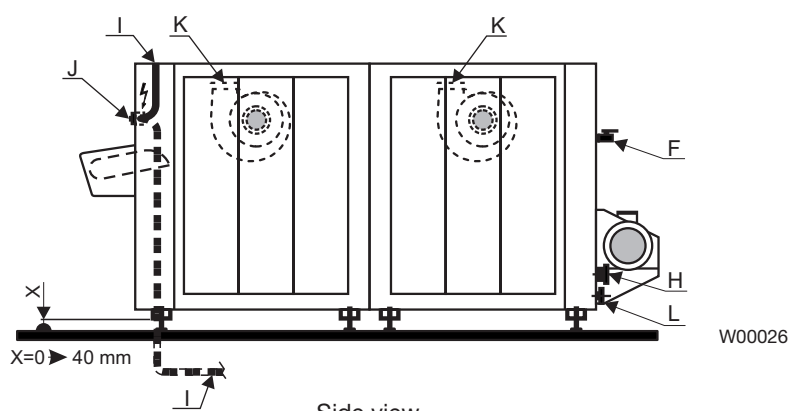
Electrical connections			1221	1230	1233	1235	1242
Voltage							
400-415V 3AC 50Hz – 1 roll	kW				7.9		
400-415V 3AC 50Hz – 2 rolls	kW				19.6		
400-415V 3AC 50Hz – 3 rolls	kW				30		
Steam and air connections							
Max. steam pressure	kPa				1400		
Compressed air	DN				15		
<b>1 roll</b>							
Steam	DN				40		
Condensate	DN				32		
Exhaust dia. (K)	mm				200		
Evacuated air	m <sup>3</sup> /h				2000		
<b>2 rolls</b>							
Steam	DN				50		
Condensate	DN				40		
Exhaust dia. (K)	mm				2 x 200		
Evacuated air	m <sup>3</sup> /h				2 x 2000		
<b>3 rolls</b>							
Steam	DN				65		
Condensate	DN				50		
Exhaust dia. (K)	mm				3 x 200		
Evacuated air	m <sup>3</sup> /h				3 x 2000		
Sound level							
Airborne sound level	dB(A)				66		
Heat emission							
% of installed power, standard insulation					5		
% of installed power, extra insulation					3		
Performances and energy consumption							
<b>1 roll</b>							
Max. water evaporation (14 bar)	l/h		210	300	330	350	420
Steam average consumption (12 bar)	kg/h		295	360	395	420	510
Average linen output (12 bar)*	kg/h		355	500	550	585	710
Ironing speed**	m/min				8-24		
<b>2 rolls</b>							
Max. water evaporation (14 bar)	l/h		420	600	660	700	840
Steam average consumption (12 bar)	kg/h		590	720	790	840	1020
Average linen output (12 bar)*	kg/h		710	1000	1100	1170	1420
Ironing speed**	m/min				14-43		
<b>3 rolls</b>							
Max. water evaporation (14 bar)	l/h		630	900	990	1050	1260
Steam average consumption (12 bar)	kg/h		885	1080	1185	1260	1530
Average linen output (12 bar)*	kg/h		1065	1500	1650	1755	2130
Ironing speed**	m/min				14-43		
Dimensions							
<b>A</b> width	mm		3300	4200	4500	4700	5400
<b>B</b> ironing width	mm		2100	3000	3300	3500	4200
<b>C</b> length 1 roll	mm				1985		
<b>C</b> length 2 rolls	mm				3555		
<b>C</b> length 3 rolls	mm				5125		
<b>D</b> height	mm				1760		
Net weight							
1 roll	kg		3140	3860	4100	4360	4820
2 rolls	kg		6860	7700	8200	8530	9700
3 rolls	kg		9400	11630	12400	12900	14650

\* 50% residual moisture, 140 gr/m<sup>2</sup> polyester-cotton linen, 100% cylinder use

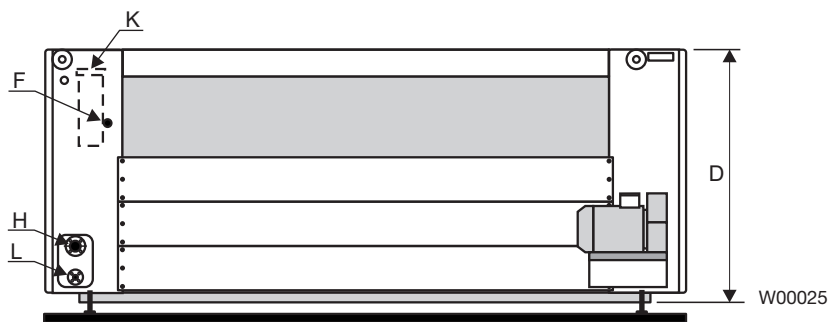
\*\* Other speed range available on request



Top view



Side view



Rear view

- |                               |                                |
|-------------------------------|--------------------------------|
| <b>F</b> Compressed air inlet | <b>J</b> Circuit breaker       |
| <b>H</b> Steam inlet          | <b>K</b> Vapor exhaust         |
| <b>I</b> Electric connection  | <b>L</b> Condensate connection |

*Thinking of you*  
**Electrolux**